

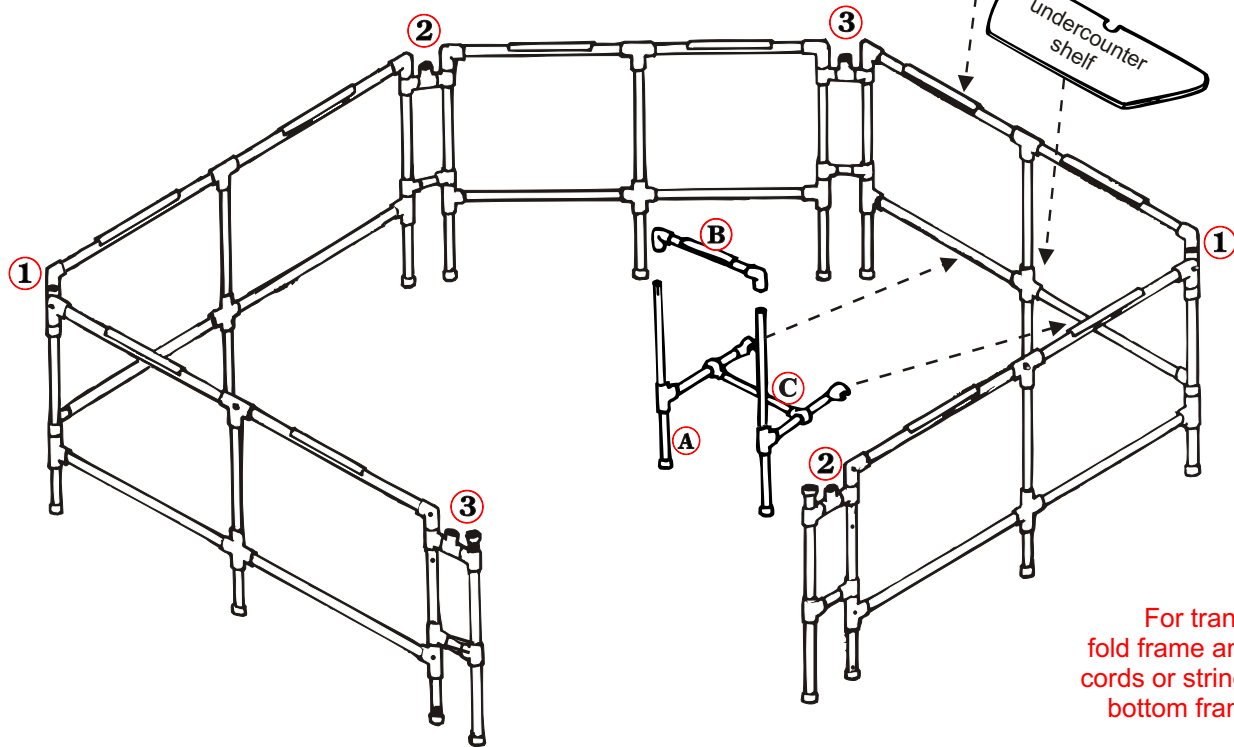
Baby, Junior or Grand Gazebo



The Great Gazebo, Inc.
Morrice, Michigan
(800) 962-2767 Fax: (517) 625-2015
greatgazebo.com

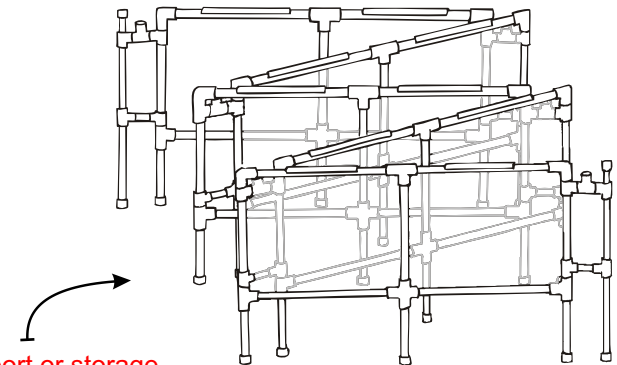
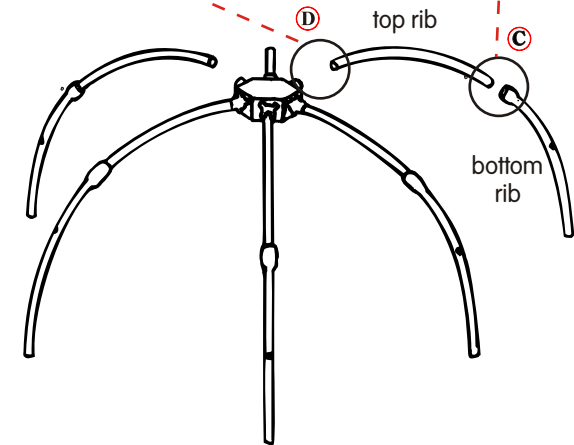
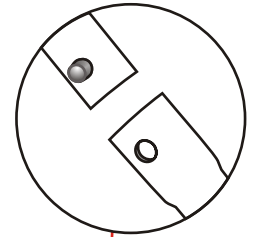
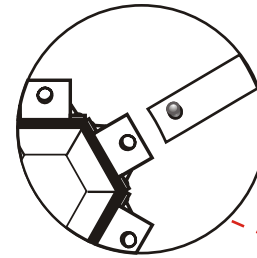
Gazebo Setup:

- 1) Unfold bottom frame into hexagon, with snaps facing out
- 2) Make a "spider" by inserting all 6 assembled ribs into crown (see right)
- 3) Lift the "spider", insert rib pairs **1**, **2**, and **3** into frame sockets
- 4) Throw top canopy over ribs, and snap it to ribs
- 5) Snap skirt on, starting at one end
- 6) Clip counter legs (**A**) to hexagon frame. Attach upper and lower counter support cross braces (**B** & **C**).
- 7) Align counters with Velcro and press down firmly
- 8) Place optional undercounter shelves on bottom counter leg braces



Rib and Crown Setup:

Slip top and bottom ribs together (**C**), then insert the ribs into the crown (**D**). Make sure the button comes through the hole in the bottom rib and on the crown.



For transport or storage, fold frame and secure with bungee cords or string. Disassembly of the bottom frame is **unnecessary**.

GAZEBO CARRYING CASES & PRODUCT CARE INSTRUCTIONS



Vinyl Top and Skirt Case

CONTENTS:

- 1 top canopy
- 1 skirt

To keep the skirt off the ground when rolling the vinyl, simply roll the skirt with the vinyl side IN as you are unsnapping the skirt from the bottom frame. (Fig.B)

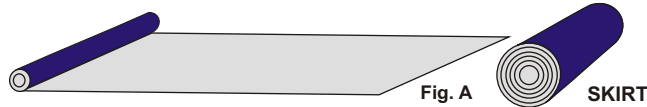


Fig. A SKIRT

If you are in an indoor location with a clean, dry floor you can roll the skirt on the floor with the vinyl side out and the cloth side in. (Fig. A)

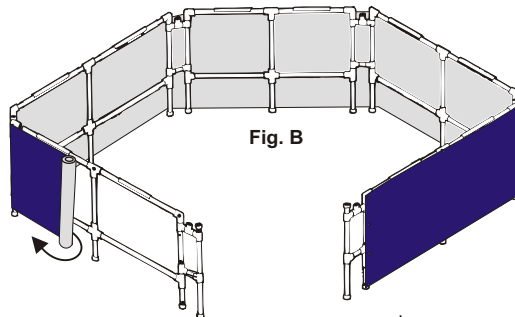
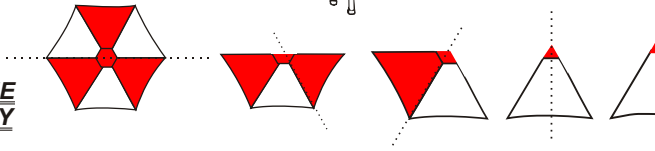


Fig. B

FOLDING THE TOP CANOPY



VINYL CARE

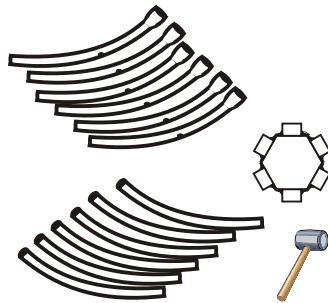
- WARNING!** Do not apply adhesive tape of any kind to the surface of printed vinyl. Doing so may damage the printing and WILL void the warranty.
- When storing vinyl**, make sure it's completely dry. This will prevent mold and mildew.
- Carefully fold top and roll skirt vinyl** (do not wad up) to avoid creases and wrinkles.
- Avoid placing heavy items** on top of folded or rolled vinyl. Proper care, folding the canopy and rolling the skirt will help the vinyl look good for years.
- Clean the outside of the vinyl** with soap & water. Vinyl preservatives extend the life of the vinyl. Do not scrub printed custom graphics.
- Try not to let the **cloth backing** on the vinyl get dirty or stained. If it gets dirty, clean with warm soap and water and let it dry thoroughly before storing.
- Do not fold the frame while the skirt is still snapped on. If the vinyl is cold it will be tight when snapping to the frame.
- When unsnapping hold near the snap and pull straight. Do not yank or pull from a distance.



Rib and Crown Case

CONTENTS:

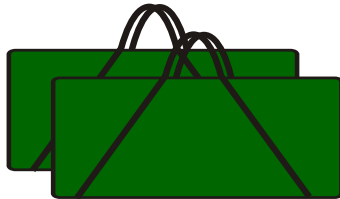
- 1 crown
- 1 mallet
- 6 top ribs
- 6 bottom ribs



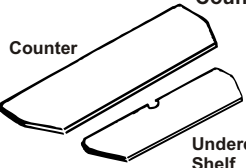
CARE OF PVC RIBS, COUNTER SUPPORTS & FRAME

- Clean with soap and water.** For stronger stains use a mild abrasive household cleaner such as Clorox Soft Scrub and wipe afterwards with water. Do not use dry abrasive cleaners. This will scratch the PVC finish.
- Clean any dirt build-up on the inside of the fittings and outside of the pipe ends. This will make it easier for insertion when assembling and removal when disassembling.
- When storing gazebo frames it is best to rotate the rib sockets upside down. This prevents dirt and /or water from collecting in them.

The **rubber hammer** may be used when assembling and disassembling the counter's upper and lower supports.

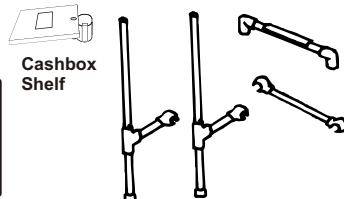


Counter Cases



Counter

Undercounter Shelf



Cashbox Shelf

FOR MANAGEABILITY:

Put counters and undercounter shelves in the same case(s). Put legs and crosspieces in the same case(s).

CARE OF COUNTERS & SHELVES

- Clean with soap and water.** For stronger stains use a mild abrasive household cleaner such as Clorox Soft Scrub and wipe afterwards with water.
- Do not sit items on the under counter shelf that will bulge or spill on the skirt. Center heavy items over the cross brace. Slide the cross brace towards the counter legs for maximum support.

LAYING CASES FLAT makes it easier to insert materials into the cases.

Thank you for purchasing The Great Gazebo, Inc. products. We have used the highest quality materials and manufacturing standards. To ensure that you obtain the best possible results, please read the instructions thoroughly and save for future reference.

OUTDOOR USE

- Gazebos are strong, sturdy, and designed to withstand windy conditions. Stakes and tie-downs or sandbags are recommended in windy conditions. For 30+ MPH winds or wind gusts it is recommended to remove the vinyl top & skirt.
- When setting up on an uneven ground or surface make sure all feet are touching firmly.
- Avoid setting up on muddy ground. It will stain the bottom of the skirt.

TRANSPORT & STORAGE WITH CARRYING CASES

- gazebo is divided into manageable loads
- parts are kept clean and organized
- features superior strength and tear-resistance, and has a durable water-repellant finish.



The Great Gazebo, Inc.
Morrice, Michigan